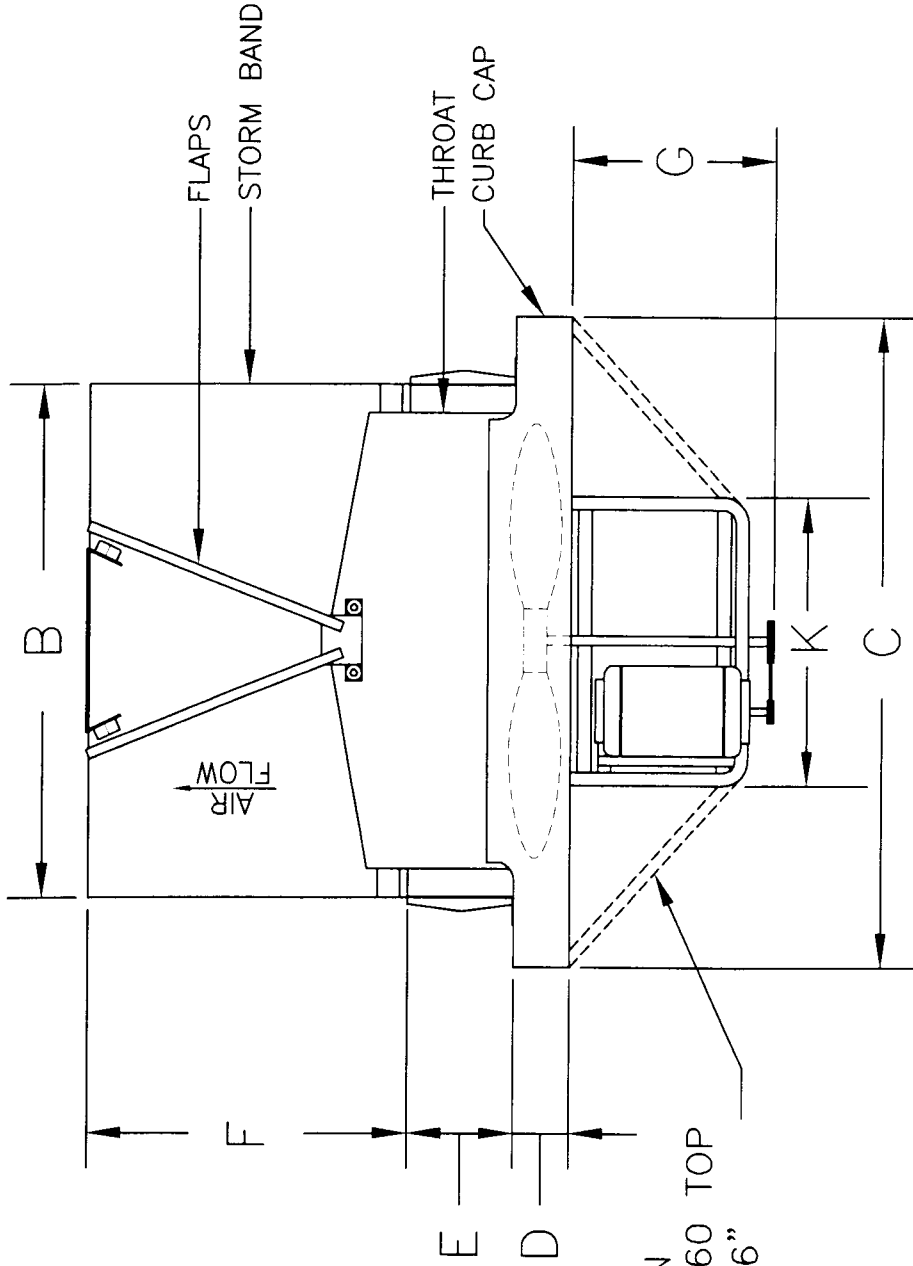


FRONT VIEW



ONLY ON  
BRV-8-60 TOP  
WIDTH 56"

Model #	A	B	C	D	E	F	G	H	J	K
BRV-8-24	25	30	39 sq.	2.5	3	19	16.75	28	10.5	15.5
BRV-8-30	31	36	45 sq.	2.5	3	22	17.75	34	10.5	15.5
BRV-8-36	37	42	51 sq.	2.5	3	25	18.75	39.5	12.5	20.25
BRV-8-42	43	48	57 sq.	2.5	3	27	18.75	45.5	12.5	20.25
BRV-8-48	49	54	63 sq.	2.5	3	30	21.75	51.5	15.5	20.25
BRV-8-54	55	60	69 sq.	2.5	3	36	23.75	57.5	18	27.25
BRV-8-60	61	66	75 sq.	2.5	3	42	23.75	63.5	18	27.25

<b>BRV-8 ROOF EXHAUSTER</b>	<b>AMC NO.</b>	<b>Project</b>	<b>Drawn by</b> A. Plaza	<b>Certified by</b>	<b>File</b> BRV 8 Series
<b>AMERICRAFT MANUFACTURING CO</b>	<b>Cust NO.</b>	<b>Notes</b>	<b>Page Number</b> 1	<b>Revision</b>	<b>Scale</b> Not to scale
P.O. Box 1108 Mason, Ohio 45040-1108					<b>Date</b> 2/27/08