

Americraft Manufacturing Co., Inc.
 12017 FIRST AVENUE
 CINCINNATI, OHIO 45249

TUBE AXIAL DUCT FAN DIRECT DRIVE MODEL "DF"

HEAVY GAUGE, ALL WELDED STEEL CONSTRUCTION. EASILY MOUNTED INTO DUCT

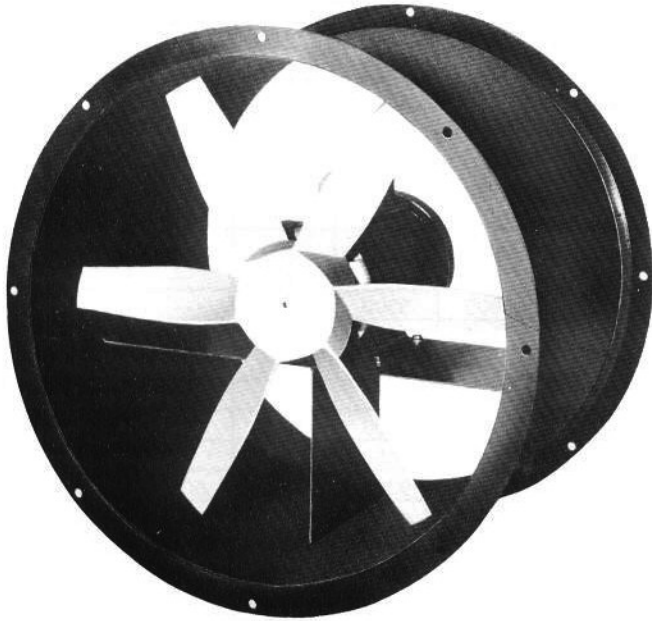
APPLICATION - These direct drive tube axial fans are recommended for duct application in mills, mines, foundries, factories or wherever fumes, dust, smoke or steam must be removed.

Propellers are non-sparking cast aluminum so that unit with explosion proof motor can be used to handle explosive gases.

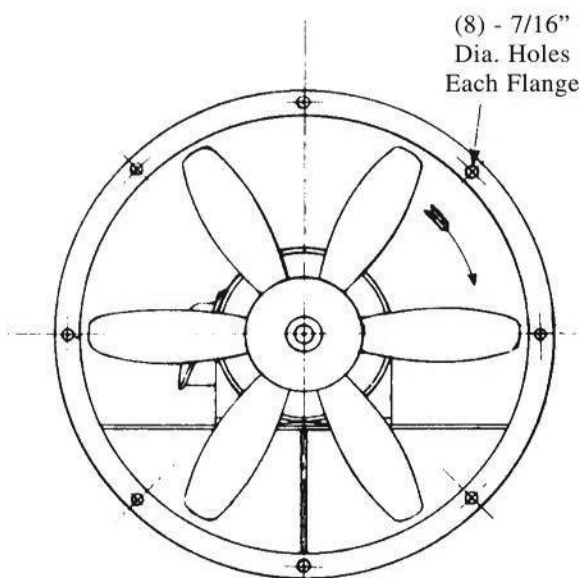
Drum made from heavy gauge steel. Welded construction. Angle iron flanges on each end of drum with eight mounting holes for ease in mounting into duct.

Motors - only high quality industrial motors are used. Fans with motors are completely assembled and fan tested at factory before shipping. Motors are available in open drip proof, totally enclosed and explosion proof.

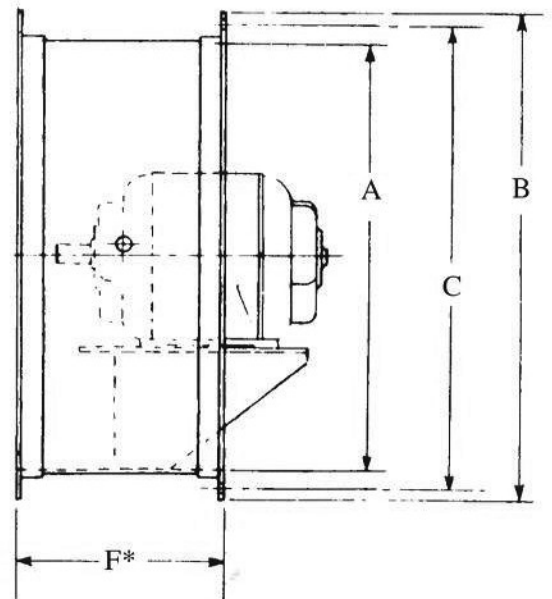
Model DF fans may be specified for any application where it is permissible to allow the motor to run in the air stream.



SIZE	A	B	C	F	HP	Fan Size	No. Blades
12"	12	14	13 1/8	14	1/4-3/4	12	4-6
18"	18	20	19 1/8	14	1/4-1	18	4-6
24"	24	27	25 3/4	18	1/4-3	24	2-4-6
27"	27	30	28 3/4	18	1/2-3	27	4-6
30"	30	33	31 3/4	18	1/2-7 1/2	30	4-6
34"	34	37	35 3/4	18	1/2-5	34	3-4-6
36"	36	39	37 7/8	18	2-3	36	4-6
42"	42	45	43-9/16	18	2-5	42	4-6



* - Approx. Dim., Varies With Motor



**TUBE AXIAL DUCT FAN
 DIRECT DRIVE
 MODEL "DF"**

PERFORMANCE DATA

MODEL NO.	H.P.	FAN SIZE	FAN R.P.M.	NO. BLADES	PROP. NO.	FREE AIR	CAPACITY C.F.M.						
							1/8" SP	1/4" SP	3/8" SP	1/2" SP	3/4" SP	1" SP	1-1/4" SP
DF-12-1/4	1/4	12"	1725	4	CA101	1180	930	520	---	---	---	---	---
DF-12-1/2	1/2	12"	3450	4	CA101	1875	1650	1400	1320	1250	1100	660	---
DF-12-3/4	3/4	12"	3450	6	CA102	2044	1960	1920	1820	1650	1500	1100	---
DF-18-1/4	1/4	18"	1725	4	CA105	3450	3050	2500	1200	---	---	---	---
DF-18-1/3	1/3	18"	1725	6	CA106	3375	3000	2600	2000	1400	---	---	---
DF-18-1/2	1/2	18"	1725	6	CA161	4150	3850	3150	2800	1700	---	---	---
DF-18-1	1	18"	1725	6	CA107	4600	4375	4080	3600	3000	2100	1550	---
DF-24-1/4	1/4	24"	1725	2	CA130	5200	4200	2820	1050	---	---	---	---
DFL-24-1/3	1/3	24"	1140	6	CA109	4975	4690	4250	3920	2850	---	---	---
DF-24-1/2	1/2	24"	1725	4	CA108	6510	5880	5200	4150	3100	1800	---	---
DFL-24-3/4	3/4	24"	1140	6	CA114	6900	6450	6265	5600	3300	---	---	---
DF-24-1	1	24"	1725	6	CA109	7425	7000	6350	5850	5000	3300	1775	---
DF-24-2	2	24"	1725	6	CA162	9525	9196	8810	8360	7980	6960	3000	---
DF-24-3	3	24"	1725	6	CA114	10500	9800	9500	9100	8700	7800	5000	3600
DF-27-1/2	1/2	27"	1725	4	CA121	7550	6820	6000	5100	4000	2000	---	---
DF-27-1	1	27"	1725	4	CA110	9600	9000	8400	7775	7050	4800	---	---
DF-27-2	2	27"	1725	6	CA111	11500	11200	10700	10000	9300	8000	5900	3600
DF-30-1/2	1/2	30"	1725	4	CA112	8980	7650	6300	5400	4350	2300	---	---
DFL-30-3/4	3/4	30"	1140	6	CA113	10440	9750	8750	7640	6000	---	---	---
DF-30-2	2	30"	1725	6	CA132W	12000	11250	10450	9600	8700	6000	4100	---
DFL-30-2	2	30"	1140	6	CA115	14000	13750	12900	11850	10450	2500	---	---
DF-30-3	3	30"	1725	6	CA113	16000	15350	14700	13850	12900	10200	8000	6000
DF-34-1 1/2	1 1/2	34"	1725	4	CA122	13350	12100	10000	9100	7300	---	---	---
DF-34-2	2	34"	1725	4	CA188	14850	13600	12100	10450	8800	4000	---	---
DFL-34-2	2	34"	1140	4	CA163	15950	15100	13800	12500	11400	---	---	---
DFL-34-3	3	34"	1140	3	CA123	19300	18290	17230	16000	14800	11614	4000	---
DF-34-5	5	34"	1725	6	CA128	21000	19850	18900	18200	17500	14850	9300	---
DFL-36-2	2	36"	1140	6	CA117	17620	16500	15200	13620	12300	8500	---	---
DF-36-3	3	36"	1725	4	CA134	18500	17700	15700	15100	13900	11500	8550	---
DFL-36-3	3	36"	1140	3	CA129	20500	19500	18500	17100	15850	11600	6500	---
DFLL-42-1	2	42"	870	4	CA165	15800	15200	13480	12310	5800	900	---	---
DFL-42-2	2	42"	1140	4	CA165	17964	17277	15326	13990	12351	7600	---	---
DFLL-42-2	2	42"	870	4	CA119	22040	21000	20500	18500	15000	6000	---	---
DFL-42-3	3	42"	1140	4	CA175	24500	23150	23000	22000	19650	14000	10000	---
DFL-42-5	5	42"	1140	4	CA119	28970	27960	26840	25700	24200	19500	13800	2000
DFL-48-3	3	48"	1140	4	CA137	28600	26500	24400	22000	20000	15900	11000	---
DFLL-48-3	3	48"	870	4	CA139	28700	26500	24200	21600	18500	10000	---	---
DFLL-48-5	5	48"	870	4	CA138	33000	31500	29750	27650	25300	18000	---	---

ACCESSORIES AND OPTIONS

COMPANION FLANGES - For easy installation.

PROTECTIVE COATING - Epoxy or Eisenheiss coatings provide good protection against most corrosive agents.

ACCESS DOORS - Gasketed and latched hinged access doors allow for periodic inspection of motor and propeller.

FAN GUARDS - 1/2" O.S.H.A. approved safety guards for inlet or outlet.