

Americraft Manufacturing Co., Inc.

12017 FIRST AVENUE
CINCINNATI, OHIO 45249

TUBE AXIAL DUCT FAN BELT DRIVE MODEL "BCS"

Ball bearing pillow block construction designed specifically for applications for moving air with high moisture content. Suitable for spray booths, ducts, industrial washing machines.

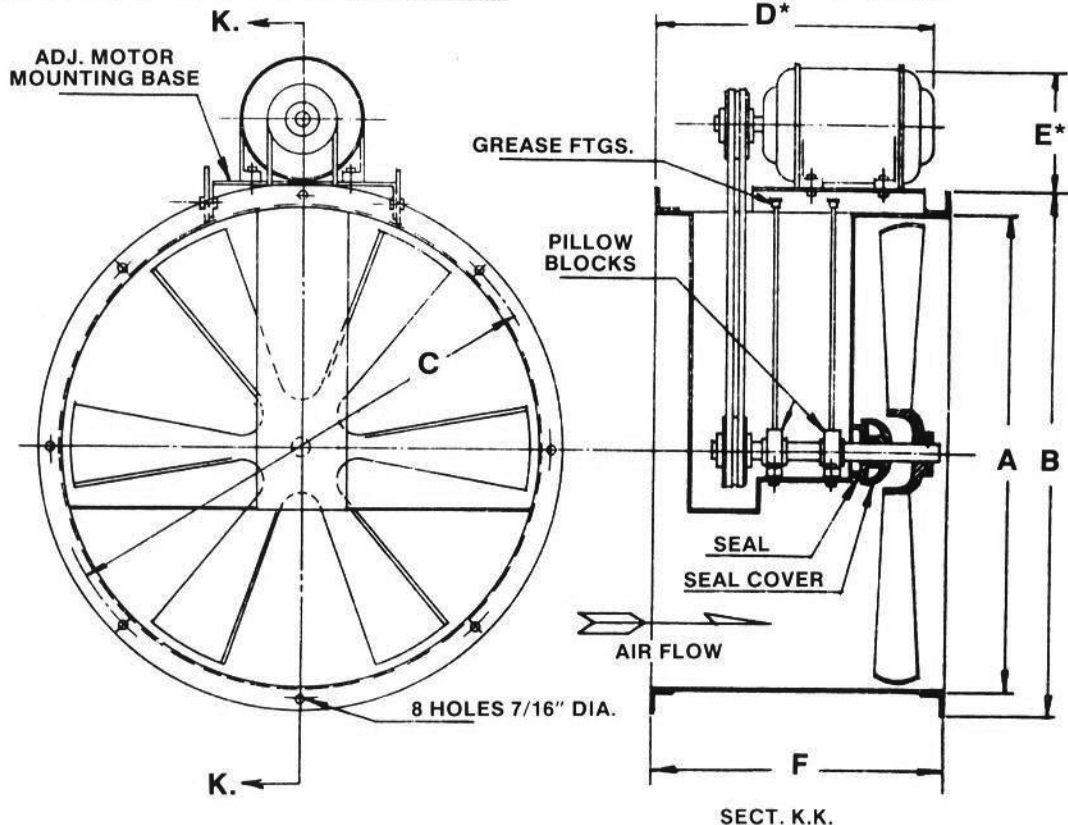
OUTSTANDING FEATURES

- Sealed ball bearings with external grease fittings.
 - Fan can be installed in any position.
 - Propellers non-sparking cast aluminum.
 - Fan housing is heavy gauge steel with angle iron rings welded on each end for superior strength. Eight holes in angle rings for easy mounting.
 - Standard construction 225°F. Temperatures up to 375°F with special construction.
 - Motors - only high quality industrial motors are used. Fans with motors are completely assembled, drives properly adjusted, and fan tested at the factory before shipping. Motors are available in open drip proof, totally enclosed, and explosion proof.
 - Cast steel and turned steel sheaves.
 - Adjustable motor base.
 - Bearings are located in the belt tube, removed from the contaminated airstream. Belt tube interior is protected from contaminated air in duct by water slinger, dust cover, and shaft seals.
- NOTE: Bearings must be protected by weather cover or other means from contaminated air, exterior to the fan, at installation.



DIMENSIONS

Size	A	B	C	F	HP	Blade Size	No. Blades
12" CS	12"	14"	13 ¹ / ₈ "	18"	1/4-3/4	11 ¹ / ₄ "	4-6
15" CS	15"	17"	16 ¹ / ₈ "	18"	1/4-3/4	14 ¹ / ₄ "	4-6
18" CS	18"	20"	19 ¹ / ₈ "	18"	1/4-1 ¹ / ₂	17 ¹ / ₄ "	4-6
24" CS	24"	27"	25 ³ / ₄ "	18"	1/4-5	23 ¹ / ₄ "	4-6
27" CS	27"	30"	28 ³ / ₄ "	18"	3/4-3	26 ¹ / ₄ "	4-6
30" CS	30"	33"	31 ³ / ₄ "	18"	1/2-5	29 ¹ / ₄ "	4-6
34" CS	34"	37"	35 ³ / ₄ "	18"	1 ¹ / ₂ -5	33 ¹ / ₄ "	4-6
36" CS	36"	39"	37 ⁷ / ₈ "	18"	1 ¹ / ₂ -5	35 ¹ / ₄ "	4-6
42" CS	42"	45"	43 ⁹ / ₁₆ "	22"	1 ¹ / ₂ -7 ¹ / ₂	41 ¹ / ₄ "	4-6
48" CS	48"	51"	49 ⁵ / ₈ "	24"	5-10	47 ¹ / ₄ "	4-6
60" CS	60"	63"	61 ⁵ / ₈ "	30"	5-10	59 ¹ / ₄ "	6



TUBE AXIAL DUCT FAN
BELT DRIVE
MODEL "BCS"

PERFORMANCE DATA

MODEL NUMBER	H.P.	FAN SIZE	FAN R.P.M.	NO. BLADES	PROP. NO.	FREE AIR	CAPACITY C.F.M.							
							1/8"SP	1/4"SP	3/8"SP	1/2"SP	3/4"SP	1"SP	1-1/4"SP	1-1/2"SP
B-12-1/2-CS	1/2	12"	3450	4	CA101	1875	1650	1400	1320	1250	1100	660	-	-
B-12-3/4-CS	3/4	12"	3450	6	CA102	2044	1960	1920	1820	1650	1500	1100	-	-
B-15-3/4-CS	3/4	15"	2200	6	CA104	3900	3700	3400	3100	2700	1150	-	-	-
B-15-1-CS	1	15"	2400	6	CA104	4250	4000	3700	3375	2950	1250	-	-	-
B-18-1/2-CS	1/2	18"	1890	6	CA145	3850	3500	3100	2500	2000	-	-	-	-
B-18-1-CS	1	18"	1725	6	CA107	4600	4375	4080	3600	3000	2000	1550	-	-
B-18-1 1/2-CS	1 1/2	18"	1990	6	CA107	5350	5060	4830	4550	3950	3000	2500	-	-
B-24-1/2-CS	1/2	24"	1298	6	CA144	5643	5320	4826	4440	3500	-	-	-	-
B-24-3/4-CS	3/4	24"	1600	6	CA144	6906	6510	5900	5440	4650	2750	-	-	-
B-24-1-CS	1	24"	1725	6	CA144	7425	7000	6350	5850	5000	3300	1775	-	-
BPR-24-1-CS	1	24"	1357	6	CA196	7450	7100	6650	5950	5200	3000	-	-	-
BPR-24-1 1/2-CS	1 1/2	24"	1540	6	CA196	8200	7900	7650	7280	6850	5500	-	-	-
BPR-24-2-CS	2	24"	1680	6	CA196	9600	9250	8940	8655	8250	7300	4800	-	-
B-24-2-CS	2	24"	1600	6	CA114	9760	9114	8830	8460	8090	7000	4400	-	-
B-24-3-CS	3	24"	1725	6	CA114	10500	9800	9500	9100	8700	7800	5000	3600	2000
B-24-5-CS	5	24"	1920	6	CA114	11400	10600	10350	9900	9475	8500	7200	6000	5000
BPR-27-3/4-CS	3/4	27"	1250	6	CA111	8330	7814	7550	7070	6500	4650	-	-	-
BPR-27-1-CS	1	27"	1400	6	CA111	9400	8675	8480	7950	7300	5200	-	-	-
BPR-27-1 1/2-CS	1 1/2	27"	1600	6	CA111	10700	10250	9700	9080	8375	6000	2500	-	-
BPR-27-2-CS	2	27"	1350	6	CA152	11500	11200	10700	10000	9300	8000	5200	-	-
B-27-3-CS	3	27"	1600	6	CA152	13480	12900	12222	11440	10552	8200	6200	4000	-
BPR-30-1 1/2-CS	1 1/2	30"	1035	6	CA115	11100	10600	9700	8600	7500	3500	-	-	-
BPR-30-2-CS	2	30"	1176	6	CA115	12100	11660	11000	10121	9332	6700	-	-	-
B-30-3-CS	3	30"	1350	6	CA115	13480	12982	12498	12042	11465	10380	9470	7500	-
B-30-5-CS	5	30"	1650	6	CA115	16440	15832	15242	14686	13982	12659	11550	9200	-
B-34-2-CS	2	34"	1027	6	CA146	14657	13652	12590	11500	10000	8000	-	-	-
B-34-3-CS	3	34"	1175	6	CA146	17580	16750	15896	14600	14095	12000	9500	-	-
B-34-5-CS	5	34"	1416	6	CA146	20500	19800	19000	18325	17500	16000	14200	12250	-
BPR-36-3-CS	3	36"	930	6	CA198	17500	16800	15900	14740	14100	12200	-	-	-
BPR-36-5-CS	5	36"	1100	6	CA198	20600	19950	19200	18500	17800	16020	14300	-	-
BPR-36-7 1/2-CS	7 1/2	36"	1250	6	CA198	22500	21900	21200	20750	20050	19008	17000	15200	-
BPR-42-2-CS	2	42"	820	4	CA119	20700	18900	17002	14700	11400	4000	-	-	-
BPR-42-3-CS	3	42"	890	4	CA119	23700	22100	20200	18960	16970	9950	3600	-	-
BPR-42-5-CS	5	42"	835	6	CA199	26900	25600	24403	23450	22250	18400	13900	-	-
BPR-42-7 1/2-CS	7 1/2	42"	960	6	CA199	30800	29600	28500	27400	26200	23500	20500	16500	-
BPR-42-10-CS	10	42"	1075	6	CA199	33300	32500	31500	30300	29500	27400	25100	22000	18000
BPR-48-5-CS	5	48"	800	6	CA195	33000	31000	29400	27500	25670	20700	-	-	-
BPR-48-7 1/2-CS	7 1/2	48"	900	6	CA195	37500	35900	34500	32800	31200	27700	23000	-	-
BPR-48-10-CS	10	48"	1000	6	CA195	41200	39700	38300	36900	35400	32400	29000	24400	-
BPR-60-5-CS	5	60"	690	4	CA143	45000	40800	36000	32150	26000	-	-	-	-
BPR-60-7 1/2-CS	7 1/2	60"	690	6	CA227	51000	49500	47250	43500	39375	30750	21375	16875	-
BPR-60-10-CS	10	60"	650	6	CA210	54000	51900	49000	46300	43200	36000	27000	-	-

ACCESSORIES AND OPTIONS

COMPANION FLANGES — For easy installation of duct fans.

PROTECTIVE COATINGS — Epoxy and Eisenheiss coatings provide good protection against most corrosive agents.

VARIABLE PITCH PULLEYS — Allow for moderate variation of fan speed for flexibility and system modification.

ACCESS DOORS — Hinged access doors, gasketed and latched, provide for periodic inspections.

BELT GUARDS — Adjustable galvanized construction.

MOTOR COVERS — Galvanized, designed to fit all belt drive tubeaxial duct fans. (Specify motor frame size.)

FAN GUARDS — 1/2" O.S.H.A. approved safety guards for use on fan inlet or outlet.

NOTE — For other sizes and ratings consult factory.