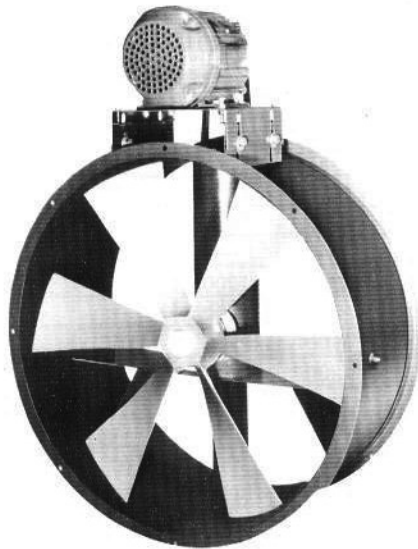


TUBE AXIAL DUCT FAN BELT DRIVE MODEL "B"

The ultimate in positive elimination of smoke, fumes and vapors through duct work in paint spray booths and other hazardous locations. Recommended for use in dry environments with temperature less than 180° F.

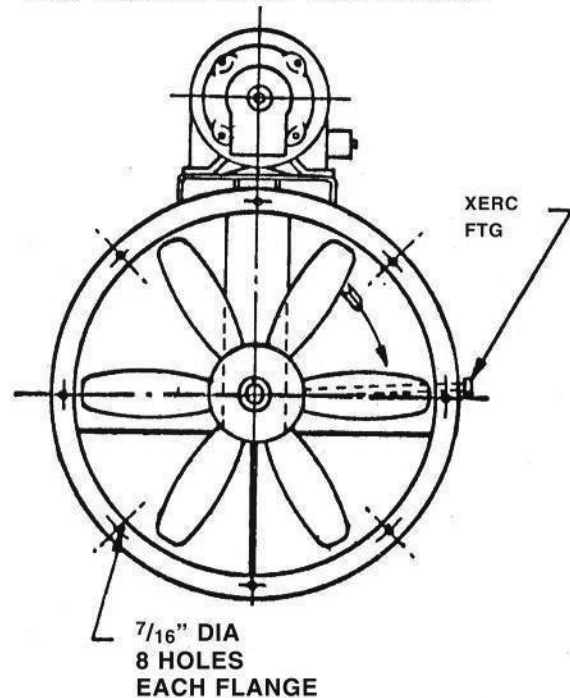
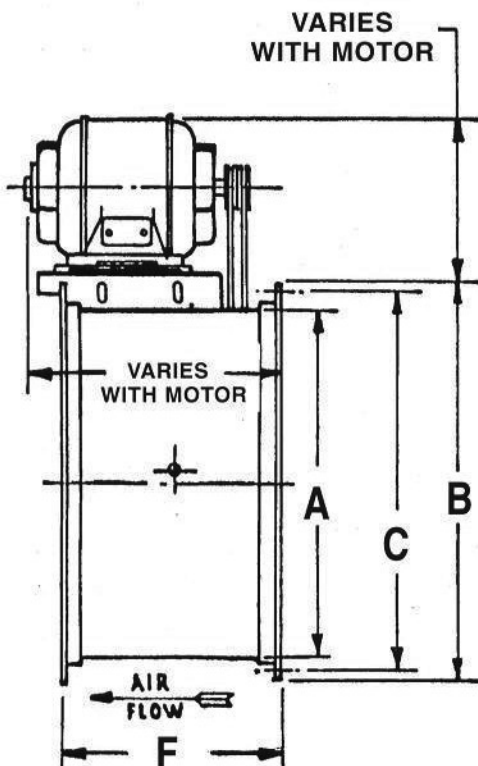
OUTSTANDING FEATURES:

- Fan can be installed to operate in any position.
- Propellers non-sparking cast aluminum.
- Fan housing is heavy gauge steel with angle iron rings welded on each end for superior strength. Eight holes in angle rings for easy mounting.
- Air tight cylinder in center of drum protects belts, sheaves, and bearings from contaminated air.
- Adjustable motor base provides for proper belt tension.
- Bearings - two sealed industrial grade ball bearings mounted in a precision machined, cast aluminum, one piece, completely enclosed bearing housing for exceptional bearing life. External grease fitting is standard.
- Motors - only high quality industrial motors are used. Fans with motors are completely assembled, drives properly adjusted and fan tested at factory before shipping. Motors are available in open drip proof, totally enclosed and explosion proof.
- Cast steel and turned steel sheaves.



DIMENSIONS

SIZE	A	B	C	F	HP	Blade Size	No. Blades
12"	12"	14"	13 1/8"	12"	1/4-3/4	11 1/4"	4-6
15"	15"	17"	16 1/8"	12"	1/4-3/4	14 1/4"	4-6
18"	18"	20"	19 1/8"	12"	1/4-1 1/2	17 1/4"	4-6
24"	24"	27"	25 3/4"	12"	1/4-1	23 1/4"	4-6
24"	24"	27"	25 3/4"	16"	1-5	23 1/4"	6
27"	27"	30"	28 3/4"	16"	2-3	26 1/4"	6
30"	30"	33"	31 3/4"	16"	2-5	29 1/4"	6
34"	34"	37"	35 3/4"	16"	1 1/2-5	33 1/4"	4-6
36"	36"	39"	37 7/8"	16"	1 1/2-5	35 1/4"	4-6
42"	42"	45"	43 9/16"	18"	1 1/2-5	41 1/4"	4-6



PERFORMANCE DATA

MODEL NUMBER	H.P.	FAN SIZE	FAN R.P.M.	NO. BLADES	PROP. NO.	FREE AIR	CAPACITY C.F.M.						
							1/8" SP	1/4" SP	3/8" SP	1/2" SP	3/4" SP	1" SP	1-1/4" SP
B-12-1/6	1/6	12"	1725	4	CA101	950	860	680	420	250	---	---	---
B-12-1/4	1/4	12"	2625	4	CA101	1444	1307	1033	638	380	---	---	---
B-12-1/3	1/3	12"	2875	4	CA101	1586	1436	1135	700	415	---	---	---
B-12-1/2	1/2	12"	3450	4	CA101	1875	1650	1400	1320	1250	1100	660	---
B-12-3/4	3/4	12"	3450	6	CA102	2044	1960	1920	1820	1650	1500	1100	--
B-15-1/4	1/4	15"	2000	6	CA103	2600	2100	1700	---	---	---	---	---
B-15-1/3	1/3	15"	2200	6	CA103	2950	2500	2100	1760	1000	---	---	---
B-15-1/2	1/2	15"	1890	6	CA104	3350	3000	2650	2200	1500	---	---	---
B-15-3/4	3/4	15"	2200	6	CA104	3900	3700	3400	3100	2700	1150	---	---
B-18-1/4	1/4	18"	1600	6	CA145	3050	2500	2000	1200	---	---	---	---
B-18-1/3	1/3	18"	1725	6	CA145	3375	3000	2600	2000	1400	---	---	---
B-18-1/2	1/2	18"	1890	6	CA145	3850	3500	3100	2500	2000	---	---	---
B-18-1	1	18"	1725	6	CA107	4600	4375	4080	3600	3000	2100	1550	---
B-18-1 1/2	1 1/2	18"	1990	6	CA107	5350	5060	4830	4550	3950	3000	2500	---
B-24-1/2	1/2	24"	1298	6	CA144	5643	5320	4826	4440	3500	---	---	---
B-24-3/4	3/4	24"	1600	6	CA144	6906	6510	5900	5440	4650	2750	---	---
B-24-1	1	24"	1725	6	CA144	7425	7000	6350	5850	5000	3300	1775	---
BPR-24-1	1	24"	1357	6	CA196	7450	7100	6650	5950	5200	3000	---	---
BPR-24-1 1/2	1 1/2	24"	1540	6	CA196	8200	7900	7650	7280	6850	5500	---	---
BPR-24-2	2	24"	1680	6	CA196	9600	9250	8940	8655	8250	7300	4800	---
B-24-2	2	24"	1600	6	CA114	9760	9114	8830	8460	8090	7000	4400	---
B-24-3	3	24"	1725	6	CA114	10500	9800	9500	9100	8700	7800	5000	3600
BPR-27-3/4	3/4	27"	1250	6	CA111	8330	7814	7550	7070	6500	4650	---	---
BPR-27-1	1	27"	1400	6	CA111	9400	8675	8480	7950	7300	5200	---	---
BPR-27-1 1/2	1 1/2	27"	1600	6	CA111	10700	10250	9700	9080	8375	6000	2500	---
BPR-27-2	2	27"	1350	6	CA152	11500	11200	10700	10000	9300	8000	5200	---
B-30-1/2	1/2	30"	1140	4	CA167	8900	7925	6660	4270	2300	---	---	---
B-30-1	1	30"	1298	6	CA113	9897	8970	7980	6050	4120	---	---	---
BPR-30-1 1/2	1 1/2	30"	1035	6	CA115	11100	10600	9700	8600	7500	3500	---	---
BPR-30-2	2	30"	1176	6	CA115	12100	11660	11000	10121	9322	6700	---	---
B-30-3	3	30"	1350	6	CA115	13480	12982	12498	12042	11465	10380	9470	7500
B-30-5	5	30"	1650	6	CA115	16440	15832	15242	14686	13982	12659	11550	9200
B-34-1 1/2	1 1/2	34"	1170	6	CA128	13695	12400	11100	8365	6000	1015	---	---
B-34-2	2	34"	1027	6	CA146	14657	13652	12590	11500	10000	8000	---	---
B-34-3	3	34"	1175	6	CA146	17580	16750	15896	14600	14095	12000	9500	---
B-34-5	5	34"	1416	6	CA146	20500	19800	19000	18325	17500	16000	14200	12250
BPR-42-1 1/2	1 1/2	42"	750	4	CA119	18960	17000	14662	11700	7200	---	---	---
BPR-42-2	2	42"	820	4	CA119	20700	18900	17002	14700	11400	4000	---	---
BPR-42-3	3	42"	890	4	CA119	23700	22100	20200	18960	16970	9950	3600	---
BPR-42-5	5	42"	850	6	CA199	26900	25600	24403	23450	22250	18400	13900	---

ACCESSORIES AND OPTIONS

COMPANION FLANGES - For easy installation of duct fans.

PROTECTIVE COATINGS - Epoxy and Eisenheiss coatings provide good protection against most corrosive agents.

VARIABLE PITCH PULLEYS - Allow for moderate variation of fan speed for flexibility and system modification.

ACCESS DOORS - Hinged access doors, gasketed and latched, provide for periodic inspections.

BELT GUARDS - Adjustable, galvanized construction.

MOTOR COVERS - Galvanized, designed to fit all belt drive tubeaxial duct fans. (Specify motor frame size.)

FAN GUARDS - 1/2" O.S.H.A. approved safety guards for use on fan inlet or outlet.

NOTE - For other sizes and ratings consult factory.