

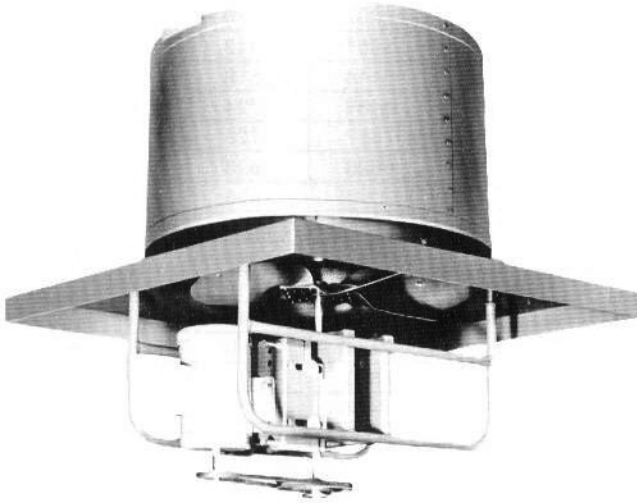
Americraft Manufacturing Co., Inc.
 12017 FIRST AVENUE
 CINCINNATI, OHIO 45249

MODEL "BRV8" BELT DRIVEN ROOF EXHAUSTER

The BRV8 Roof Ventilator meets the need for a simple, efficient weatherproof closure for a vertical air discharge. Lid opens when fan is on, closed weather-tight when fan is off. Discharge air stream prevents entry of rain or snow. Lid pivot rods turn in nylon bearings; never require lubrication. Panel provides easy method of curb mounting.

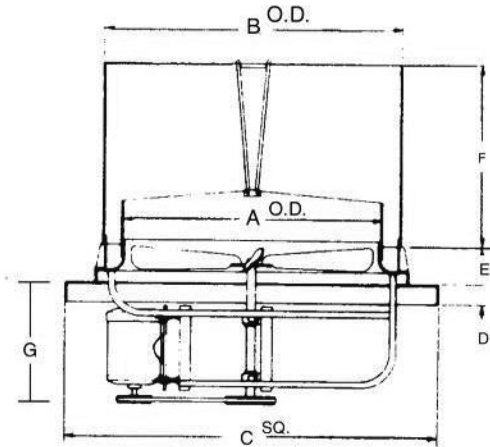
OUTSTANDING FEATURES:

- Ruggedly constructed steel base including rolled venturi section standard.
- Steel propellers are standard. Cast aluminum propellers available on most models at different fan speeds.
- Self aligning pillow block bearings with locking collars.
- V belt drive for quiet operation.



DIMENSIONS

FAN SIZE	A	B	C	D	E	F	G
24"	25	30	39	2 1/2	3	19	16
30"	31	36	45	2 1/2	3	22	16
36"	37	42	51	2 1/2	3	25	18
42"	43	48	57	2 1/2	3	27	20
48"	49	54	63	2 1/2	3	30	21
54"	55	60	69	2 1/2	3	36	26
60"	61	66	75	2 1/2	3	42	28



PERFORMANCE DATA

MODEL NO.	H.P.	R.P.M.	PROP. NO.	FAN DIA.	FREE AIR	CAPACITY C.F.M.			
						1/8" SP	1/4" SP	3/8" SP	1/2" SP
BRV-824-1 1/3	1/3	780	S-24	24"	4900	4222	2807	1576	800
BRV-824-1/2	1/2	980	S-24	24"	6219	5716	5661	4043	2600
BRV-824-3/4	3/4	1140	S-24	24"	7090	6648	6144	5518	4413
BRV-830-1/2	1/2	640	S-30	30"	8507	7170	4486	2724	1373
BRV-830-3/4	3/4	770	S-30	30"	10235	9192	7657	5108	3833
BRV-830-1	1	975	X-30	30"	10668	9959	8626	6828	5184
BRV-830-1 1/2	1 1/2	1140	X-30	30"	12473	11867	11112	9656	8135
BRV-836-1/2	1/2	530	S-36	36"	10500	8821	5985	3642	2084
BRV-836-3/4	3/4	605	S-36	36"	11985	10583	8563	5545	4017
BRV-836-1	1	665	S-36	36"	13174	11932	10299	7913	5729
BRV-836-1 1/2	1 1/2	720	X-36	36"	13660	12012	9579	7240	5000
BRV-836-2	2	870	X-36	36"	16554	15376	14088	11942	9691
BRV-842-3/4	3/4	435	S-42	42"	14040	11530	7633	4847	3311
BRV-842-1	1	490	S-42	42"	15429	13194	10438	6414	4668
BRV-842-1 1/2	1 1/2	550	S-42	42"	17420	15421	13117	9980	7289
BRV-842-2	2	725	X-42	42"	20653	19128	17503	15264	11319
BRV-842-3	3	830	X-42	42"	23645	22296	20984	19406	17290
BRV-848-3/4	3/4	370	S-48	48"	17339	13700	7389	4238	2244
BRV-848-1	1	410	S-48	48"	19188	16078	10903	6378	4037
BRV-848-1 1/2	1 1/2	465	S-48	48"	21731	19010	14991	10950	7081
BRV-848-2	2	520	S-48	48"	24274	21943	19080	15532	10125
BRV-848-3	3	680	X-48	48"	28150	25683	23615	20820	16930
BRV-848-5	5	800	X-48	48"	33160	30900	29290	27380	25000
BRV-854-1	1	410	X-54	54"	23130	20588	17500	11640	9600
BRV-854-1 1/2	1 1/2	450	X-54	54"	25400	22600	19300	12782	10316
BRV-854-2	2	480	X-54	54"	27200	24312	20660	13642	11010
BRV-854-3	3	550	X-54	54"	31213	28722	25830	21730	15420
BRV-854-5	5	660	X-54	54"	37458	35238	32843	30298	26538
BRV-860-1 1/2	1 1/2	340	X-60	60"	28068	23203	15624	11434	8000
BRV-860-2	2	390	X-60	60"	32200	26710	17924	13118	9380
BRV-860-3	3	450	X-60	60"	37183	32356	25324	18705	15013
BRV-860-5	5	540	X-60	60"	44600	41232	35819	29000	23237

ACCESSORIES AND OPTIONS

PROTECTIVE COATING - Epoxy or Eisenheiss provide good protection against corrosive agents.

PREFABRICATED CURBS - For flat, sloping or apex roofs.

DISCONNECT SWITCH.