

Americraft Manufacturing Co., Inc.

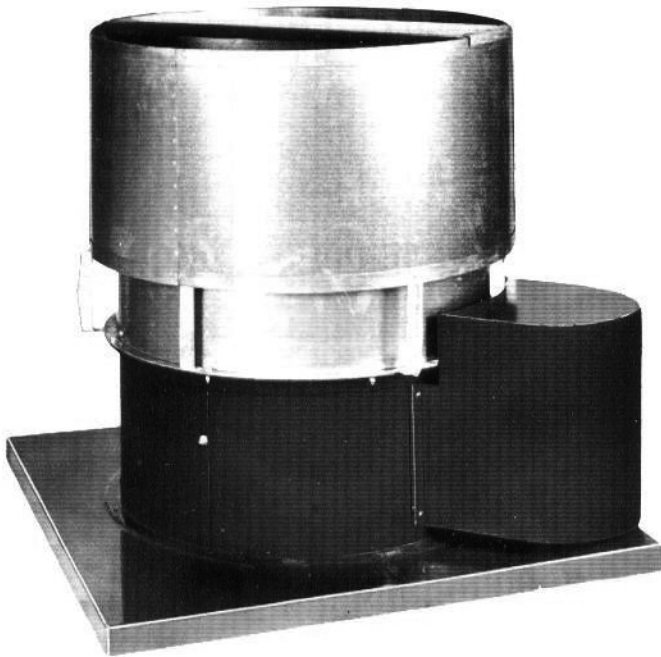
12017 FIRST AVENUE
CINCINNATI, OHIO 45249

INDUSTRIAL ROOF EXHAUSTERS BELT DRIVEN MODEL "BRV"

APPLICATION - Model BRV Belt Driven Roof Exhausters are used where it is necessary to have the motor removed from the air stream.

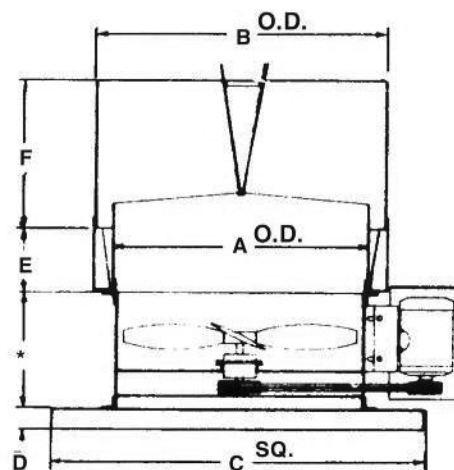
OUTSTANDING FEATURES:

- Model B Tube Axial Duct Fans are standard in BRV Models. In applications where excessive heat or moisture is present, Models BHT or BCS Tube Axial Duct Fans may be incorporated into the roof ventilator.
- Ruggedly constructed with heavy steel base and galvanized damper section. Galvanized motor cover furnished with the roof ventilator.
- Model BRV Roof Ventilators are also available in stainless steel, aluminum, and hot dipped galvanized construction.
- Fan drum is continuously welded to curb cap to prevent leakage.
- Belt tube is completely sealed to protect sheaves and belts from contaminated air.
- Cast aluminum and steel propellers are available.
- Damper section bolts to fan for easy removal.
- Dampers rotate in nylon bearings on a stainless steel axle.
- Motor is located outside air stream on adjustable motor base.
- Extended grease tube lines.
- Damper sections may be purchased separately for existing stacks.



DIMENSIONS

FAN SIZE	A	B	C	D	E	F
18"	18	24	33	2 1/2	8	12
24"	24	30	39	2 1/2	8	16
30"	30	36	45	2 1/2	8	18
34"	34	40	49	2 1/2	8	21
36"	36	42	51	2 1/2	8	22 1/2
42"	42	48	57	2 1/2	8	25
48"	48	54	63	2 1/2	8	25 1/2
60"	60	66	75	2 1/2	8	32



PERFORMANCE DATA

MODEL NO.	H.P.	FAN SIZE	FAN R.P.M.	NO. BLADES	PROP. NO.	FREE AIR	CAPACITY C.F.M.							
							1/8" SP	1/4" SP	3/8" SP	1/2" SP	3/4" SP	1" SP	1-1/4" SP	1-1/2" SP
BRV-18-1/3	1/3	18"	1725	6	CA145	3375	3000	2600	2000	1400	---	---	---	---
BRV-18-1/2	1/2	18"	1890	6	CA145	3850	3500	3100	2500	2000	---	---	---	---
BRV-18-3/4	3/4	18"	1600	6	CA107	4100	3985	3440	3050	2500	---	---	---	---
BRV-18-1	1	18"	1725	6	CA107	4600	4375	4080	3600	3000	2100	1550	---	---
BRV-18-1-1/2	1-1/2	18"	1990	6	CA107	5350	5060	4830	4550	3950	3000	2500	--	---
BRV-24-3/4	3/4	24"	1600	6	CA144	6906	6510	5900	5440	4650	2750	---	---	---
BRV-24-1	1	24"	1725	6	CA144	7425	7000	6350	5850	5000	3300	1775	---	---
BPRRV-24-1-1/2	1-1/2	24"	1540	6	CA196	8200	7900	7650	7280	6850	5500	---	---	---
BRV-24-2	2	24"	1600	6	CA114	9760	9114	8830	8460	8090	7000	4400	---	---
BRV-24-3	3	24"	1725	6	CA114	10500	9800	9500	9100	8700	7800	5000	3600	---
BRV-30-1	1	30"	1298	6	CA113	9897	8970	7980	6050	4120	---	---	---	---
BPRRV-30-1-1/2	1-1/2	30"	1035	6	CA115	11100	10600	9700	8600	7500	3500	---	---	---
BPRRV-30-2	2	30"	1176	6	CA115	12100	11660	11000	10121	9322	6700	---	---	---
BRV-30-3	3	30"	1350	6	CA115	13480	12982	12498	12042	11465	10380	9470	7500	---
BRV-30-5	5	30"	1650	6	CA115	16440	15832	15242	14686	13982	12659	11550	9200	---
BRV-34-2	2	34"	1027	6	CA146	14657	13652	12590	11500	10000	8000	---	---	---
BRV-34-3	3	34"	1175	6	CA146	17580	16750	15896	14600	14095	12000	9500	---	---
BRV-34-5	5	34"	1416	6	CA146	20500	19800	19000	18325	17500	16000	14200	12250	---
BPRRV-36-3	3	36"	930	6	CA198	17500	16800	15900	14740	14100	12200	---	---	---
BPRRV-36-5	5	36"	1100	6	CA198	20600	19950	19200	18500	17800	16020	14300	---	---
BPRRV-36-7-1/2CS	7-1/2	36"	1250	6	CA198	22500	21900	21200	20750	20050	19008	17000	15200	---
BPRRV-42-2	2	42"	820	4	CA119	20700	18900	17002	14700	11400	4000	---	---	---
BPRRV-42-3	3	42"	890	4	CA119	23700	22100	20200	18960	16970	9950	3600	---	---
BPRRV-42-5	5	42"	850	6	CA199	26900	25600	24403	23450	22250	18400	13900	---	---
BPRRV-42-7-1/2CS	7-1/2	42"	960	6	CA199	30800	29600	28500	27400	26200	23500	20500	16500	---
BPRRV-42-10CS	10	42"	1075	6	CA199	33300	32500	31500	30300	29500	27400	25100	22000	18000
BPRRV-48-5CS	5	48"	800	6	CA195	33000	31000	29400	27500	25670	20700	---	---	---
BPRRV-48-7-1/2CS	7-1/2	48"	900	6	CA195	37500	35900	34500	32800	31200	27700	23000	---	---
BPRRV-48-10CS	10	48"	1000	6	CA195	41200	39700	38300	36900	35400	32400	29000	24400	---
BPRRV-60-5CS	5	60"	690	4	CA143	45000	40800	36000	32150	26000	---	---	---	---
BPRRV-60-7-1/2CS	7-1/2	60"	690	6	CA227	51000	49500	47250	43500	39375	30750	21375	16875	---
BPRRV-60-10CS	10	60"	650	6	CA210	54000	51900	49000	46300	43200	36000	27000	---	---
BPRRV-60-15CS	15	60"	730	6	CA210	61000	59500	57000	55000	49000	46000	40000	32000	---

ACCESSORIES AND OPTIONS

PROTECTIVE COATING - Epoxy or Eisenheiss provide good protection against corrosive agents. Hot dip galvanize also available.

PREFABRICATED CURBS - For flat, sloping, or apex roofs. Minimum 8" curb height.

DISCONNECT SWITCH.