

**MODEL AM  
 DIRECT DRIVEN ROOF  
 EXHAUSTER**

The Americraft Roof Ventilator meets the need for a simple, efficient weatherproof closure for a vertical air discharge. Lid opens when fan is on, closed weather-tight when fan is off. Discharge air stream prevents entry of rain or snow. Lid pivot rods turn in nylon bearings; never require lubrication. Panel provides easy method of curb mounting.

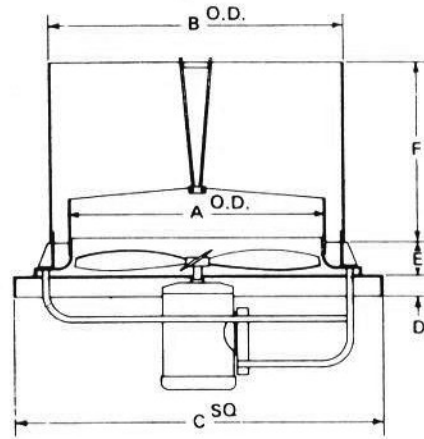
**OUTSTANDING FEATURES:**

- Ruggedly constructed steel base including rolled venturi section standard. Galvanized damper section.
- Cast aluminum propellers on most models. See fan performance chart for those using steel propellers.
- Only industrial quality motors are used. Available in open drip proof, totally enclosed, and explosion proof.



**DIMENSIONS**

Fan Size	A	B	C	D	E	F
18"	19	24	33	2 1/2	3	16
24"	25	30	39	2 1/2	3	19
30"	31	36	45	2 1/2	3	22
36"	37	42	51	2 1/2	3	25
42"	43	48	57	2 1/2	3	27
48"	49	54	63	2 1/2	3	30
60"	61	66	75	2 1/2	3	42



**MODEL AM  
 DIRECT DRIVEN  
 ROOF EXHAUSTER**

**PERFORMANCE DATA**

MODEL AND H.P.	PROP. NO.	R.P.M.	NO. BLADES	FAN DIA.	FREE AIR	CAPACITY C.F.M.						
						1/8" SP	1/4" SP	3/8" SP	1/2" SP	3/4" SP	1" SP	1 1/4" SP
AML-18-1/4	S18-11	1140	4	18"	2570	2263	1673	1136	854	384	-	-
AM-18-1/3	CA106	1725	6	18"	3375	3000	2600	2000	1400	-	-	-
AM-18-1/2	MS-18-9	1725	6	18"	4133	3938	3724	3455	3132	1939	-	-
AM-18-1	CA107	1725	6	18"	4600	4375	4080	3600	3000	2100	1550	-
AM-24-1/4	C130	1725	2	24"	5200	4200	2820	1050	-	-	-	-
AML-24-3/4	CA114	1150	6	24"	6900	6450	6265	5600	3300	-	-	-
AM-24-1	CA109	1725	6	24"	7425	7000	6350	5850	5000	3300	1775	-
AM-24-3	CA114	1725	6	24"	10500	9800	9500	9100	8700	7800	5000	3600
AML-30-3/4	CA113	1140	6	30"	10440	9750	8750	7640	6000	-	-	-
AMLL-30-1	C115	870	6	30"	10800	10100	9100	8000	6360	-	-	-
AML-30-1 1/2	X30-8	1140	4	30"	10410	9686	8834	7816	6420	-	-	-
AML-30-2	CA115	1140	6	30"	14000	13750	12900	11850	10450	2500	-	-
AM-30-3	CA113	1725	6	30"	16000	15350	14700	13850	12900	10200	8000	6000
AM-30-5	X30-11	1725	4	30"	17750	17500	17150	16700	16200	15100	13750	12000
AMLL-36-2	CA163	870	4	36"	17600	16500	15200	13620	11400	-	-	-
AML-36-2	CA117	1140	6	36"	17620	16500	15200	13620	12300	8500	-	-
AML-36-3	CA129	1140	3	36"	20500	19500	18500	17100	15850	11600	6500	-
AML-36-5	X36-11	1140	4	36"	22600	21700	20500	19700	19000	14800	-	-
AML-42-2	CA165	1140	4	42"	17964	17277	15326	13990	12351	7600	-	-
AMLL-42-5	X42-11	870	4	42"	24500	23100	21900	20500	18600	12700	9100	-
AML-42-5	CA119	1140	4	42"	28970	27960	26840	25700	24200	19500	13800	-
AML-48-3	CA137	1140	4	48"	28600	26500	24400	22000	20000	15900	11000	-
AMLL-48-5	CA138	870	4	48"	33000	31500	29750	27650	25300	18000	-	-
AMLL-48-7 1/2	X48-11	870	4	48"	35654	33411	31857	30219	28021	22628	15907	-
AML-48-7 1/2	CA139	1140	4	48"	37000	35100	32800	30600	28000	23000	17700	-
AMLL-48-10	CA140	870	6	48"	39000	37300	35600	33600	32000	28000	17000	-
AML-48-10	CA138	1140	6	48"	41000	39200	38300	37000	35400	32400	29000	24000
AMLL60-5	CA169	870	2	60"	45200	41500	37000	33000	26000	14000	-	-
AMLL60-7 1/2	CA228	870	6	60"	47000	45500	43600	41000	38700	33000	24000	-
AMLLL 60-10	CA210	690	6	60"	54000	51900	49000	46300	43200	36000	27000	-

NOTE: TYPE X AND S PROPELLERS ARE STEEL  
 TYPE CA PROPELLERS ARE CAST ALUMINUM

**ACCESSORIES AND OPTIONS**

**PROTECTIVE COATING** — Epoxy or Eisenheiss provide good protection against corrosive agents.

**PREFABRICATED CURBS** — For flat, sloping, or apex roofs. Minimum 8" curb height.

**DISCONNECT SWITCH.**