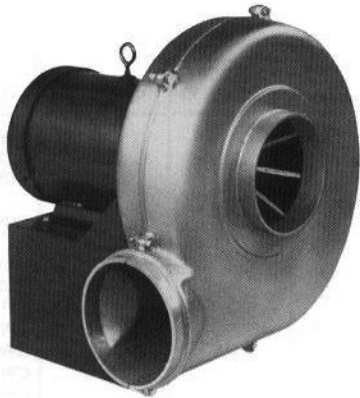


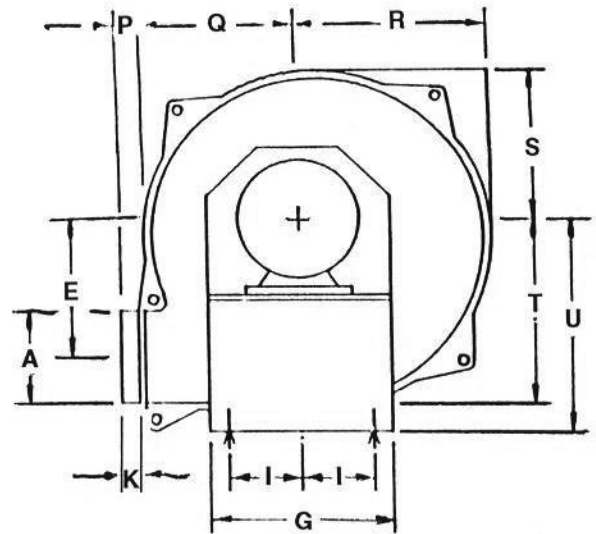
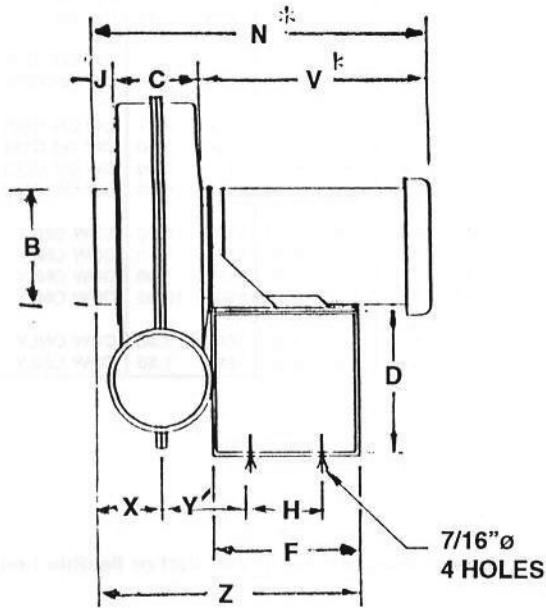
Americraft Manufacturing Co., Inc.

12017 FIRST AVENUE
CINCINNATI, OHIO 45249

MODEL ADP DIRECT DRIVEN CAST ALUMINUM BLOWERS



Application: These direct driven blowers are widely used for exhausting smoke, fumes, and dust where high pressure is required. Other uses may include food processing, chemical processing, and high pressure cooling and drying.



CLOCKWISE - BOTTOM HORIZONTAL
SHOWN ABOVE

MODEL MOTOR NO. FRAME	A	B	C	D	E	F	G	H	I	J	K	N	P	Q	R	S	T	U	V	X	Y	Z
ADP-8 56	4	4	3 ³ / ₄	6	4 ¹ / ₈	7 ⁷ / ₈	9 ¹ / ₂	5 ¹ / ₂	3 ¹ / ₂	1 ¹ / ₄	1	17	1 ³ / ₈	4 ¹ / ₂	5 ¹ / ₄	4 ³ / ₄	6 ¹ / ₄	9 ¹ / ₂	12	3 ¹ / ₈	4 ¹ / ₄	14
ADP-9 56 143T-145T	4	5	3 ³ / ₄	6	5 ⁵ / ₈	7 ⁷ / ₈	9 ¹ / ₂	5 ¹ / ₂	3 ¹ / ₂	1 ¹ / ₄	1	17	1 ³ / ₈	5 ⁷ / ₈	7	6 ³ / ₈	7 ³ / ₄	9 ¹ / ₂	12	3 ¹ / ₈	4 ¹ / ₄	14
ADP-10 56 143T-145T	5	6	4 ¹ / ₄	7 7	6 ⁹ / ₁₆	7 ⁷ / ₈	7 9	5 ¹ / ₂	3 ¹ / ₂	1 ¹ / ₄	1	17 ¹ / ₂	1	6 ⁷ / ₈	9 ⁷ / ₁₆	7 ¹³ / ₁₆	9	10 ¹ / ₂	12	3 ⁷ / ₁₆	4 ¹ / ₂	14 ¹ / ₂
ADP-12 56 143T-145T 182T-184T	6	7	4 ¹ / ₄	8 8 7	7 ³ / ₈	7 ⁷ / ₈ 7 ⁷ / ₈ 11 ³ / ₈	9 ¹ / ₂ 9 ¹ / ₂ 12 ¹ / ₂	5 ¹ / ₂ 5 ¹ / ₂ 8 ³ / ₄	3 ¹ / ₂ 3 ¹ / ₂ 4 ⁷ / ₈	1 ⁵ / ₁₆	1	17 ⁹ / ₁₆ 17 ⁹ / ₁₆ 18 ⁹ / ₁₆	1 ¹ / ₈	7 ⁵ / ₈	9 ¹ / ₁₆	7 ⁹ / ₁₆	10 ² / ₁₆	11 ¹ / ₂	12 13	3 ³ / ₈	4 ¹ / ₂ 4 ⁷ / ₈	14 ¹ / ₂ 18 ¹ / ₄
ADP-14 143T-145T 182T-184T	6	8	5 ¹ / ₄	9 ¹ / ₂ 8 ¹ / ₂	8	7 ⁷ / ₈ 11 ³ / ₈	9 ¹ / ₂ 12 ¹ / ₂	5 ¹ / ₂ 8 ³ / ₄	3 ¹ / ₂ 4 ⁷ / ₈	1 ⁵ / ₈	1	18 ⁷ / ₈ 19 ⁷ / ₈	1	8 ⁵ / ₈	9 ⁷ / ₈	9 ¹ / ₂	11 ¹ / ₄	13 13	12 13	4 ¹ / ₈	5 ¹ / ₄ 5 ⁷ / ₈	15 18 ¹ / ₂
ADP-15 182T-184T 213T-215T	8	10	6	9	7 ³ / ₄	11 ³ / ₈	12 ¹ / ₂ 13 ¹ / ₂	8 ³ / ₄	4 ⁷ / ₈	1 ¹ / ₈	1 ³ / ₈	20 ¹ / ₈ 22 ¹ / ₈	1 ³ / ₈	9 ⁷ / ₁₆	10 ¹ / ₁₆	9 ¹⁵ / ₁₆	11 ¹³ / ₁₆	13 ³ / ₂ 14 ¹ / ₄	13 15	4 ¹ / ₈	6	20 ³ / ₈
ADP-15 182T-184T 213T-215T	8	8	6	9	8	11 ³ / ₈	12 ¹ / ₂	8 ³ / ₄	4 ⁷ / ₈	1 ⁵ / ₁₆	1	20 ⁵ / ₁₆ 22 ⁵ / ₁₆	1 ¹ / ₂	9 ⁹ / ₈	10 ⁷ / ₈	9 ¹⁵ / ₁₆	11 ¹⁵ / ₁₆	13 ³ / ₂	13 15	4 ³ / ₈	6	20 ³ / ₈
ADP-18 182T-184T 213T-215T 254T-256T	8	8	5 ³ / ₄	10 ¹ / ₂ 10 ¹ / ₂ 9	10 ¹ / ₄	11 ³ / ₈ 11 ³ / ₈ 15 ³ / ₈	12 ¹ / ₂ 12 ¹ / ₂ 16 ¹ / ₂	8 ³ / ₄ 12 ¹ / ₄ 12 ¹ / ₄	4 ⁷ / ₈ 4 ⁷ / ₈ 6 ⁵ / ₈	1 ¹ / ₄	1	20 22 26	1	10 ¹ / ₄	12 ² / ₁₆	11 ¹ / ₁₆	13 ³ / ₈	15 ³ / ₄ 15 ³ / ₄ 15 ³ / ₈	13 15 19	4 ¹ / ₄	5 ³ / ₄ 5 ³ / ₄ 6	20 20 24

MODEL	WHEEL	INLET	OUT-LET	CFM & BHP 1"	CFM & BHP 3"	CFM & BHP 5"	CFM & BHP 7"	CFM & BHP 9"	CFM & BHP 11"	ROTATION
HADP8-1/3	8 X 2 ³ / ₄	4"	4"	345 .37	242 .31					CW ONLY
HADP9-1/2	8 X 2 ³ / ₄	5"	4"	380 .39	275 .30					CCW ONLY
HADP9-3/4	9 X 2 ³ / ₈	5"	4"	480 .62	380 .57	210 .42				CCW ONLY
HADP9-1	10 ¹ / ₂ X 2 ⁷ / ₈	5"	4"	575 .80	495 .72	400 .54	270 .41			CCW ONLY
HADP10-3/4	9 X 2 ⁷ / ₈	6"	5"	571 .73	400 .60	91 .37				CCW ONLY
HADP10-1 ¹ / ₂	11 X 2 ³ / ₄	6"	5"	840 1.50	700 1.35	590 1.26	460 1.05			CCW ONLY
HADP12-1	11 X 3BC	7"	6"	865 1.07	710 .99	535 .87	160 .55			CW OR CCW
HADP12-1 ¹ / ₂	10 ¹ / ₂ X 2 ⁷ / ₈	7"	6"	1055 1.62	890 1.42	670 1.20	360 .77			CW OR CCW
HADP12-2	11 X 2 ³ / ₄	7"	6"	1150 1.91	975 1.72	750 1.40	475 1.05			CW OR CCW
HADP12-3A	11 ¹ / ₂ X 2 ³ / ₄	7"	6"	1245 2.48	1086 2.20	890 2.00	630 1.53			CW OR CCW
HADP12-3B	12 ³ / ₄ X 2 ⁷ / ₈	7"	6"		1237 3.10	1046 2.81	882 2.50	700 1.91		CW OR CCW
HADP12-5	14 X 3	7"	6"	1600 4.21	1550 4.00	1400 3.78	1285 3.63	1125 3.40	945 2.81	CW OR CCW
HADP14-3	12 ¹ / ₄ X 3	8"	6"	1575 3.40	1405 3.11	1250 2.71	1000 2.21	685 1.90		CW OR CCW
HADP14-5	14 X 3	8"	6"	1875 4.98	1710 4.60	1550 4.15	1400 3.80	1203 3.50	1045 2.98	CW OR CCW
HADP15-5	14 X 3	8"	8"	2300 5.30	2100 4.95	1900 4.50	1678 4.10	1410 3.60	1170 3.21	CW OR CCW
HADP15-7 ¹ / ₂	15 ¹ / ₂ X 5BC	8"	8"	2360 6.50	2210 6.00	1950 5.32	1800 4.65	1595 4.10	1300 3.70	CW OR CCW
HADP15-10A	15 ¹ / ₂ X 5	8"	8"	2700 9.40	2510 8.90	2365 7.95	2211 7.00	1950 6.20	1711 5.90	CW OR CCW
HADP15-10B	16 ¹ / ₂ X 5	8"	8"	3000 11.00	2875 10.70	2700 10.40	2550 10.20	2400 9.90	2215 9.40	CW OR CCW
HADP15	14 X 3	10"	8"	2585 6.20	2347 5.80	2175 5.30	1841 4.60	1586 4.00	1181 3.20	CCW ONLY
HADP15	15 ¹ / ₂ X 5BC	10"	8"	2610 7.10	2420 6.50	2210 6.00	1975 5.50	1712 4.95	1425 4.10	CCW ONLY
HADP15	15 ¹ / ₂ X 5	10"	8"	3211 11.20	3108 10.90	2875 10.40	2743 9.70	2501 8.60	2184 7.00	CCW ONLY
HADP15	16 ¹ / ₂ X 5	10"	8"	3410 14.00	3230 13.00	3029 12.20	2850 11.60	2669 10.80	2561 10.20	CCW ONLY
HADP18-5	14 X 3	8"	6"	1775 5.10	1650 4.70	1493 4.40	1330 4.10	1180 3.80	1000 3.40	CCW ONLY
HADP18-10	16 X 4 ³ / ₄	8"	6"	2300 9.70	2150 9.20	2070 8.90	1920 8.40	1800 8.00	1695 7.50	CCW ONLY

WHEELS - Single piece cast aluminum designed for efficient operation.

HOUSING - Rugged, non-corrosive cast aluminum. Circular inlets and outlets designed for round duct or flexible hose.

BASE - Heavy duty steel base for solid mounting of units.

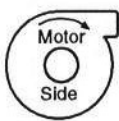
MOTORS - High quality industrial, continuous duty, ball bearing motors. Most models available with open drip proof, totally enclosed, or explosion proof enclosures.

Blowers may be assembled so that the discharge is in one of four positions.

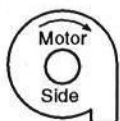
Other options available include inlet filters, inlet/outlet guards, blastgate cut-offs, flexible hoses, and special coatings.

DISCHARGE POSITIONS AVAILABLE

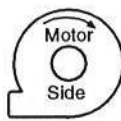
Discharges shown are determined by viewing fan from motor side. See above chart for available rotation.



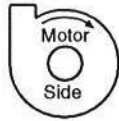
**Clockwise Top
Horizontal
Discharge**



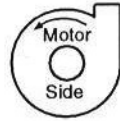
**Clockwise
Down-Blast
Discharge**



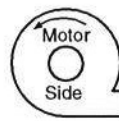
**Clockwise
Bottom
Horizontal
Discharge**



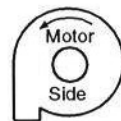
**Clockwise
Up-Blast
Discharge**



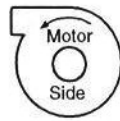
**Counter
Clockwise
Up-Blast
Discharge**



**Counter
Clockwise
Bottom
Horizontal
Discharge**



**Counter
Clockwise
Down-Blast
Discharge**



**Counter
Clockwise Top
Horizontal
Discharge**