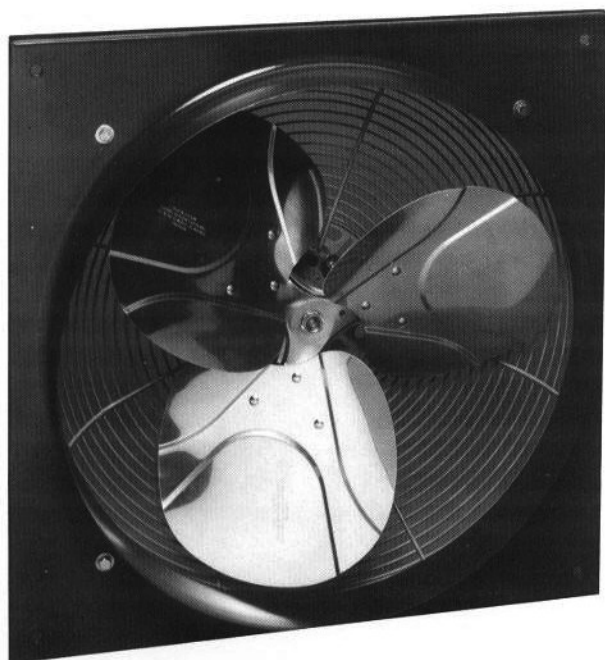


# MODEL 200 DIRECT DRIVEN LOW PRESSURE EXHAUST FAN

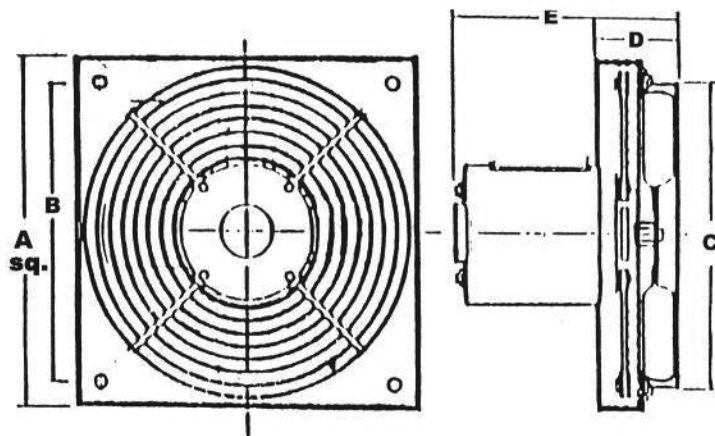


**APPLICATION** - These direct drive, low pressure type fans are specially intended for the rapid removal of smoke, steam, heat and fumes and for general ventilation from stores, factories, mills, storage plants and most commercial and industrial applications. Designed for continuous operation and the moving of large volumes of air at low cost.

## OUTSTANDING FEATURES

- Steel one piece fan panel with deep drawn venturi orifice and formed flanges for added strength.
- Propellers are precision balanced, die formed aluminum propellers with deep pitch to assure maximum performance at low noise levels.
- Built in OSHA approved rear safety guard.
- Motors are industrial quality continuous duty, permanently lubricated, shaded pole motors.
- Available with variable speed controls.  
 12", 16", 18" model DS-1  
 24" model DS-2
- Vertical or horizontal installation.

SIZE	12	16	20	24
A	16"	20"	24"	30"
B	14"	18"	22"	28"
C	12 3/4"	17"	21"	25 1/4"
D	2 1/2"	3 1/2"	3 3/4"	6 3/8"
E	8"	8"	11"	13"



## PERFORMANCE DATA

CAT. NO.	MOTOR HP	FAN RPM	CFM@ 0"	CFM@ 1/8 "	CFM@ 1/4"	SHIPPING WT.
212-1/15	1/15	1550	1110	950	750	12#
216-1/15	1/15	1550	1475	1330	1080	18#
220-1/15	1/15	1050	2165	1825	1250	26#
224-1/4	1/4	1050	3995	3600	3100	45#